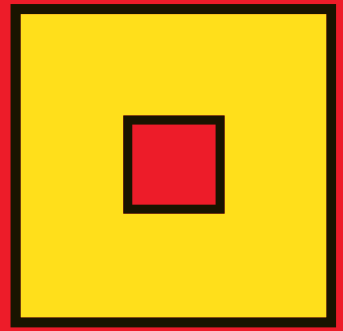
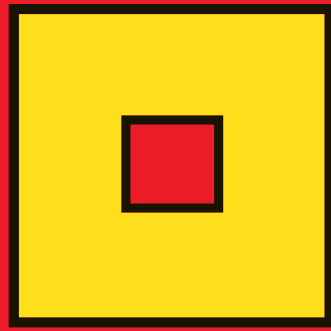




mobile audio
catalog



polik®



®

championship performance

This is Polk Audio.

You know when you roll up to a red light with your system cranked? You look over at the granny in the antique 4-door and she's wincing at the SPLs you're putting out. How GREAT is that? Well, Polk Audio was started by guys who love it loud! They started out designing speakers that shook their old Baltimore house with thunderous SPLs and earth-moving bass (the neighbors called the cops). These volume-mad bass freaks are still in control!

This is MOMO.

MOMO, creators of the world's most sought-after autosports accessories; rims, shift knobs, racing seats and fire suits worn by champion racers. Car enthusiasts know MOMO means performance, and it's this influence you can see and feel throughout all of Polk's high-performance car audio products. You'll also hear it in every musical performance.

Polk Performance.

MOMO Style.

Polk/MOMO Coaxial Loudspeakers, Component Systems, and Subwoofers deliver fast true response to your every musical desire. With Polk/MOMO, you get powerful, accurate bass, detailed mids and highs, and the extreme durability to take the punishment of the road. Match them with Carbon Series Amplifiers, and you have a car audio install that's the ultimate in performance and flash. Put the most-wanted audio gear in your car: Polk/MOMO.





Polk/MOMO subwoofers
are for more than just for
show. They produce tight,
musical, gut-punching bass
Polk/MOMO is known for.



USA & CANADA 800-377-7655, outside USA & CANADA 410-358-3600 www.polkaudio.com/cars

Polk Audio

marine certified

After we made our Polk/MOMO Series products perform superbly in a car, we took them where few speaker components dare go: on the water. Our engineers and designers wanted to put our product to the test, so they subjected everything to ASTM (American Society for Testing and Materials) scrutiny to ensure Polk/MOMO product performed as well on the water as they do on the boulevard.

The Polk/MOMO Series products were put under a series of grueling accelerated weathering tests to see if they could stand up to the harsh marine environment. We subjected them to hundreds of hours of salt fog, intense Ultra Violet light and temperatures ranging from minus 40 degrees C (-40F) to +85 degrees C (+185 F). And guess what? They passed with flying colors. That's what superior materials and engineering will get you—supreme reliability on land and sea.

That's why Sea Ray and Correct Craft, two leaders in high quality watercraft, specify and offer Polk products for their boats, testament to the quality and reliability of the Polk/MOMO Series.



MARINE CERTIFIED



This is how you really rock

a boat. Correct Craft

enclosures house

Polk/MOMO

MMC650 Coaxial

Loudspeakers.



USA & CANADA 800-377-7655, outside USA & CANADA 410-358-3600 www.polkaudio.com/cars

Polk Audio

component systems

These Polk/MOMO MMC Series Components and Subwoofers are the real heavy-duty deal. They're built to be tougher, with massive cast baskets and colossal magnet structures. Their high quality materials benefit from the most stringent testing in the industry, and they're backed up by one of the industry's best warranties.

The Polk/MOMO MMC6500 Component System is our top-of-the-line system to carry the Polk/MOMO brand. It will make your music come alive with authority.

You'll hear taut, precise bass, incredibly detailed and natural sounding midrange with highs that are bright, clear and detailed—without the harshness of metal dome tweeters. And it's built tough and backed by a three-year Parts and Labor warranty, one of the best warranties in the car speaker world.





Features

- 1** Acoustically inert rustproof Cast Aluminum Basket for superior stiffness, vented for better heat dissipation (MMC460 features ABS plate & basket, while the MMC410 is stamped steel due to its shape).
- 2** Woven Carbon Fiber Cone provides the ideal balance of stiffness and low mass for the clearest, most detailed mid-range performance, and lowest distortion, of any speaker in its class (MMC460 4x6 speaker features Polypropylene Cone with Carbon Fiber Dustcap).



- 3** 1" Liquid-Cooled Silk/Polymer Composite Dome Tweeter with Neodymium magnet for clear, detailed highs (MMC460 4x6 features a 19mm Tweeter).

- 4** Airtight Rubber Surround stands up to moisture, sunlight and extreme temperatures while allowing long excursion linear motion and years of reliable use.

- 5** Crossover Housing has multiple mounting options (screw or "zip" tie) for the ultimate system installation choices.

- 6** Three levels of Tweeter Attenuation (0db, -3db, -6db) for greater tweeter location flexibility.

- Strong, fire-retardant flat NOMEX® Spider allows extended linear motion while providing highly reliable mechanical and thermal stability.
- Built tough and backed by a three-year parts and labor warranty.



high performance loudspeakers

Polk/MOMO Coaxial and 3-Way Loudspeakers are actually “integrated component systems.” They feature a beefy external crossover instead of just a little capacitor stuck to the tweeter post. This external crossover gives Polk/MOMO Integrated Loudspeakers greater system flexibility (you can biamp them!), better sound quality and bigger dynamic impact than any other ordinary “coax.” Polk/ MOMO MM Integrated systems let you put component system sound quality into spaces where components just won't fit.

This is what speed-of-light spaceships will look like in the future: Aim the tweeter right through the Polk/ MOMO MMC Coaxial Grille. Bold lines, massive high strength construction, and accessible technology. Tighten the hex nuts and get ready for the ride of your life.



Features

1 MOMO Cast Aluminum Basket & open Design cast aluminum Grille for the clearest midrange performance (except MMC460 and MMC410).

2 Carbon Fiber Cones with Polk's exclusive Dynamic Balance® technology to minimize cone break-up for wider response and lower distortion. The MMC6500 delivers the clearest, most detailed midrange performance of any speaker in its class.

3 Airtight Butyl Rubber Surround will last longer than your clutch.

4 1" Liquid-Cooled Silk/Polymer Composite Dome Tweeter with Neodymium magnet for clear, detailed highs.



5 15° Swivel Tweeter Housing delivers direct, detailed imaging (MMC650/MMC525. The MMC690, MMC570 and MMC410 have fixed tweeter posts and are not adjustable).



- Strong Conex spider for torture-proof durability and solid mid-bass response with lifelike detail.
- Built tough and backed by a three-year parts and labor warranty.



Polk's exclusive Dynamic Balance laser technology helps Polk engineers find the best composite materials to bring you wider response and lower distortion. Hear all the music the way it was meant to be heard-clean, clear and loud.



USA & CANADA 800-377-7655, outside USA & CANADA 410-358-3600 www.polkaudio.com/cars

Polk Audio

component subwoofers

Belting out deep, precise, stomach-shaking, spine-wrenching bass that gets there before you do, that's what MM Series Subs are all about. There are eight Polk/MOMO subwoofer models available in four sizes: 4 single voice coil 4 ohm and 4 dual voice coil 4 ohm—8", 10" 12" and a bruiser 15". The MM2084, MM2104, MM2124 and MM2154 models will thump with authority in sealed, ported and bandpass enclosures. Either way you go you get the tight, musical LOUD bass that Polk/MOMO is famous for.

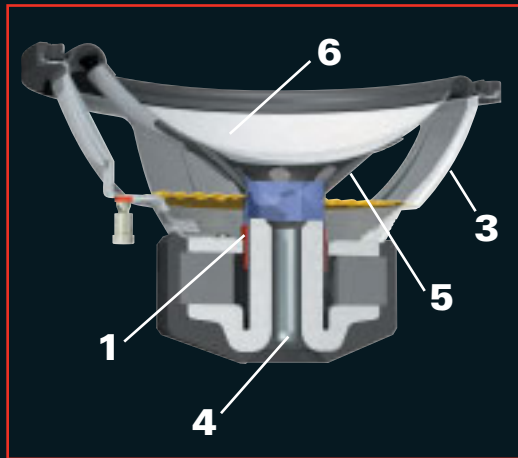


Features

- 1** State-of-the-art laser-based Klippel measurement technology perfectly centers the MM Series Subwoofer's voice coil in its magnetic field. This lowers distortion and ensures that the sub will sound awesome during the quiet times and when belting out LOUD.
- 2** Heavy duty Nickel-Plated Locking Push Terminals for secure connections with large gauge wire (up to 10 gauge).
- 3** Rigid Steel Basket is rock-solid and acoustically inert, for pro sound quality and stunning looks.
- 4** Triple Vented for maximum airflow, heat dissipation and high power handling: Vented Coil/Cone Coupler, Vented Spider Platform and Vented Pole Piece all allow cooling air to freely flow over the heat-generating components and better harness all the watts your amp can dish out.



- 5** Vented Coil/Cone Coupler constructed of rigid injection-molded ABS distributes the motive force of the Voice Coil over a larger surface area of the cone to vastly reduce distortion-producing cone break-up and resonance.



- 6** Concave Aluminum-Clad Injection-Molded ABS Cone for maximum stiffness and minimized cone break-up resonance for a tight, clean and articulate bass response.

- 7** Huge Hi-roll Butyl Rubber Surround.

- Built tough and backed by a three-year parts and labor warranty.

high power amplifiers

You've got the best DVD player money can buy, LCD monitors all over the car, killer Polk/MOMO loudspeakers and subs. Now you need power, control and protection. The Carbon Series of High Power Car Audio Amplifiers is styled by MOMO Design and engineered by Polk Audio to integrate perfectly with Polk/MOMO Loudspeakers. (You can also use them with other high-end speakers, but you'd be missing out if you didn't pair these three high performers.) Polk/MOMO Carbon Series Amplifiers deliver demonstrably better sound quality than the competition.





Features

1 Hideaway Cover Plate conceals the wiring and the “Set It Once” user-adjustable controls for clean-looking, fiddle-free installs.

2 Removable End Caps for small-footprint installs. (Remove the End Caps and the amps butt together seamlessly!)

3 LEDs easily visible on top plate.

- Three powerful compact amps built to deliver more power and better sound than the competition: a bridgeable 4-Channel (C400.4, which is 4, 3 and 2 channel configurable), bridgeable Stereo (C300.2) and a Mono-block (C500.1) amp for dedicated subwoofer amplification.

- Polk’s Maximum Dynamic Head-room (MDH) Power Supply allows Polk/MOMO Amplifiers to deliver higher instantaneous power during musical

peaks. You’ll get all the dynamic punch of a live band... right there in your car. Cool.

- Each model features fully adjustable electronic crossovers to custom tune your system to get maximum performance from any speakers on the market.

- 6-Way Smart System Protection (SSP) circuits: Power and Ground-Reversal Protection, Thermal and Short Protection, Current Overdraw and Low Impedance Protection cir-

cuits with auto-Standy Mode ensure safety, reliability and durability.

- Polk Performance Certificate attests to each individual amp’s actual Power output.

- Flexible 3-way wire management allows you to route the wires from the left, right or bottom for clean-looking professional installs.

- Backed by a powerful two-year parts and labor warranty.*

* When installed by a professional Polk/Momo installer.

- The exclusive Polk/MOMO Pre-EQ Switch optimizes the crossovers and equalization for use with Polk/MOMO Speakers and Subwoofers so you can take high performance to whole new level.

- Remote Subwoofer Level Control available for all models (a stock feature on the C500.1 sub amp).

- High-density Split-Dome Convection heat sinks with more surface area than standard fins for extreme heat dissipation and a long, reliable life without the need for noisy fans.

- Gold-Plated Screw-Down Capture Terminals for the most secure connections, Power and Ground connections accept wires up to 4 and 2 gauge speaker wire.



specs



	MM6500	MM5250	MMC690	MMC570
Type	6 1/2" component system	6 1/2" component system	6" x 9" 3-way	5" x 7" coaxial
Driver Complement	6 1/2" (16 cm) mid/woofer	6 1/2" (16 cm) mid/woofer	6" x 9" (15.2 cm x 22.9 cm) mid/woofer	5" x 7" (12.7 cm x 17.8 cm) mid/woofer
Tweeter Complement	1" (25.4 mm) silk dome tweeter	1" (25.4 mm) silk dome tweeter	1" (25.4 mm) silk dome tweeter, 1 1/4" (31.8 mm) silk dome tweeter	1" (25.4 mm) silk dome tweeter
Mounting Dimensions	5" (127 mm)	4 5/8" (117.5 mm)	8 5/8" x 5 5/8" (219.1 mm x 142.9 mm)	7 1/8" x 4 3/4" (181 mm x 121 mm)
Mounting Depth (top)	2 13/16" (71.4 MM) w/grille	2 5/16" (57.9 MM) w/grille	3 1/4" (82.5 mm) w/o cup 3 5/8" (92.1 mm) w/cup	2 9/16" (65.1 mm) w/o cup 2 13/16" (71.4 mm) w/cup
Mounting Depth (bottom)	2 9/16" (65.1 mm) w/o cup 2 13/16" (71.4 mm) w/cup	2 1/2" (50.8 mm) w/o cup 2 3/4" (69.9 mm) w/cup	3 3/8" (85.7 mm) w/o cup 2 15/16" (74.6 mm) w/cup	2 11/16" (68.3 mm) w/o cup 2 15/16" (74.6 mm) w/cup
Peak Power Handling	250 W	200 W	300 W	180 W
Continuous Power Handling	125 W	100 W	100 W	80 W
Nominal Impedance	4 Ohms	4 Ohms	4 Ohms	4 Ohms
Frequency Response	43-25 kHz	53-25 kHz	33-25 kHz	40-25 kHz
Sensitivity	87 dB	87 dB	91 dB	90 dB



MMC650

MMC525

MMC460

MMC410

Type	6 1/2" coaxial	5 1/4" coaxial	4" x 6" plate	4" x 10" plate
Driver Complement	6 1/2" (16.5 cm)	5 1/4" (13 cm)	4" x 6" (10 cm x 15 cm)	4" x 10" (10 cm x 25.4 cm)
Driver Complement	6 1/2" (16.5 cm) mid/woofer	5 1/4" (13 cm) mid/woofer	4" x 6" (10 cm x 15 cm)	4" x 10" (10 cm x 25.4 cm)
Mounting Dimensions	5" (127 mm)	4 5/8" (117.5 mm)	4" x 6" (101.6 mm x 152.4 mm)	4" x 10" (101.6 mm x 254 mm)
Mounting Depth (top)	2 7/16" (61.9 mm) w/o cup 2 11/16" (68.3 mm) w/cup	2 9/16" (65.1 mm) w/o cup 2 13/16" (71.4 mm) w/cup	2" (50.8 mm) 2 13/16" (71.4 mm) w/cup	2 9/16" (65.1 mm)
Mounting Depth (bottom)	2 9/16" (65.1 mm) w/o cup 2 13/16" (71.4 mm) w/cup	2 1/2" (50.8 mm) w/o cup 2 3/4" (69.9 mm) w/cup	2 1/4" (57.2 mm)	3 1/16" (77.8 mm)
Peak Power Handling	180 W	140 W	100 W	140 W
Continuous Power Handling	80 W	70 W	50 W	70 W
Nominal Impedance	4 Ohms	4 Ohms	4 Ohms	4 Ohms
Frequency Response	43-25 kHz	53-25 kHz	73-25 kHz	40-25 kHz
Sensitivity	90 dB	89 dB	88 dB	89 dB

specs



	MM2154	MM2154DVC	MM2124	MM2124DVC	MM2104	MM2104DVC	MM2084	MM2084DVC
Type	15" subwoofer	15" subwoofer	12" subwoofer	12" subwoofer	10" subwoofer	10" subwoofer	8" subwoofer	8" subwoofer
Nominal Impedance	4 Ohms	4 Ohms	4 Ohms	4 Ohms	4 Ohms	4 Ohms	4 Ohms	4 Ohms
Frequency Response	18 - 150 Hz	18 - 150 Hz	18 - 150 Hz	23 - 200 Hz	24 - 200 Hz	24 - 200 Hz	26 - 200 Hz	26 - 200 Hz
Fs (Hz)	23.7 Hz	23.7 Hz	30.8 Hz	30.8 Hz	38 Hz	38 Hz	43.1 Hz	43.1 Hz
Re	3.5 Ohms	3.5 Ohms per coil	3.3 Ohms	3.3 Ohms per coil	3.25 Ohms	3.25 Ohms per coil	3.25 Ohms	3.25 Ohms per coil
Le	2.20 mH	2.20 mH	2.29 mH	2.29 mH	2.59 mH	2.59 mH	1.94 mH	1.94 mH
Qms	6.07	6.07	6.06	6.06	5.93	5.93	6.80	6.80
Qes	0.55	0.55	0.61	0.61	0.52	0.52	0.66	0.66
Qts	0.51	0.51	0.55	0.55	0.48	0.48	0.60	0.60
Sd	814.3 sq cm / 126.22 sq in	814.3 sq cm / 126.22 sq in	518.7 sq cm / 80.4 sq in	518.7 sq cm / 80.4 sq in	353 sq cm / 54.72 sq in	353 sq cm / 54.72 sq in	224 sq cm / 34.72 sq in	224 sq cm / 34.72 sq in
Vas (cubic feet)	6.595 cu ft	6.595 cu ft	2.249 cu ft	2.249 cu ft	0.89 cu ft	0.89 cu ft	0.624 cu ft	0.624 cu ft
Vas (liters)	186.75 liters	186.75 liters	63.71 liters	63.71 liters	25.10 liters	25.10 liters	17.66 liters	17.66 liters
Peak Power Handling	800 W	800 W	800 W	800 W	600 W	600 W	400 W	400 W
Contin. Power Handling	400 W	400 W	400 W	400 W	300 W	300 W	200 W	200 W
Sensitivity (spl @ 1w /1m)	90 dB	90 dB	88 dB	88 dB	86 dB	86 dB	85 dB	85 dB
Voicecoil Diameter	2" (50.8 mm)	2" (50.8 mm)	2" (50.8 mm)	2" (50.8 mm)	2" (50.8 mm)	2" (50.8 mm)	1.5" (38.1 mm)	1.5" (38.1 mm)
Xmax (mechanical)	.79" (20 mm)	.79" (20 mm)	.75" (19 mm)	.75" (19 mm)	.71" (18 mm)	.71" (18 mm)	.71" (18 mm)	.71" (18 mm)
Xmax (linear)	.37" (9.5 mm)	.37" (9.5 mm)	.37" (9.5 mm)	.37" (9.5 mm)	.37" (9.5 mm)	.37" (9.5 mm)	.30" (7.5 mm)	.30" (7.5 mm)
Mounting Depth	7.35"	7.35"	6.54"	6.54"	5.76"	5.76"	4.25"	4.25"
Top Mount With Boot	186.7 mm	186.7 mm	166.1 mm	166.1 mm	146.3 mm	146.3 mm	108.2 mm	108.2 mm
Mounting Depth	7"	7"	6.25"	6.25"	5.25"	5.25"	4"	4"
Top Mount Without Boot	177.8 mm	177.8 mm	158.8 mm	158.8 mm	139.7 mm	139.7 mm	101.6 mm	101.6 mm
Mount. Depth Bottom Mount	7.9" (200.7 mm)	7.9" (200.7 mm)	7.1" (180.3 mm)	7.1" (180.3 mm)	6.23" (158.2 mm)	6.23" (158.2 mm)	4.56" (115.8 mm)	4.56" (115.8 mm)
Mounting Diameter	13.88" (325.6 mm)	13.88" (325.6 mm)	11" (279.1 mm)	11" (279.1 mm)	9.06" (230.1 mm)	9.06" (230.1 mm)	7.06" (179.3 mm)	7.06" (179.3 mm)

Optional accessories

Grille G15

Grille G15

Grille G12

Grille G12

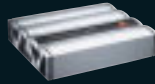
Grille G10

Grille G10

Grille G8

Grille G8



**C500.1****C300.2****C400.4**

Type	Mono Block Subwoofer Class D Amplifier	One/Two Channel Subwoofer Class A/B Amplifier	Four/Three/Two Channel Subwoofer Class A/B Amplifier
RMS Continuous Power (Per Channel Into 4 Ohms)	350 W	150 W	75 W
RMS Continuous Power (Per Channel Into 2 Ohms)	500 W	220 W	100 W
Total Bridged Power	N/A	4 Ohms	4 Ohms
Total continuous Power	N/A	550 W @ 4 Ohms	200 W x 2 @ 4 Ohms
Total Dynamic Power	875 W (@ 50 Hz)	850 W (@ 1 kHz)	975 W (@ 1 kHz)
Frequency Response	< 15 Hz - 200 Hz	< 15 Hz - 45 kHz	< 15 Hz - 45 kHz
Signal-To-Noise	< 100dBA	> 105 dBA	> 105 dBA
Input Sensitivity	200 mV - 8.0 V	200 mV - 8.0V	200 mV - 8.0 V
Remote Gain Control	0 to -30dB	0 to -30dB	0 to -30dB
Slew Rate	13 V/uS	13 V/uS	13 V/uS
Input Impedance	> 10 k Ohms	> 10 k Ohms	> 10 k Ohms
Output Impedance	< 0.02 Ohms	< 0.02 Ohms	< 0.02 Ohms
Speaker Impedance	> 2 Ohms	> 2 Ohms Stereo/ 4 Ohms Bridged	2 Ohms Stereo/4 Ohms Bridged
Low-Pass Filter: Slope	12 or 24 dB/octave	18 dB/octave	12 or 24 dB/octave
Low-Pass Filter: Freq. (-3dB Pts)	30 Hz - 200 Hz	50 Hz - 250 Hz	50 Hz - 5000 Hz
Subsonic Filter	24 dB/octave @ 15 Hz	24 dB/octave @ 15 Hz	24dB/octave @ 15 Hz
Bass Boost: Center Frequency	30 Hz - 160 Hz	n/a	n/a
Bass Boost: Bandwidth	3 Octave	n/a	n/a
Bass Boost: Gain	0 - 18dB	n/a	n/a
Pre-EQ: Center Frequency	40 Hz	40 Hz	n/a
Pre-EQ: Bandwidth	3 Octave	2 Octave	n/a
Pre-EQ: Gain	+9 dB	+9 dB	n/a
Power Requirement	10 V - 16 V DC Neg. Grnd.	10 V - 16 V DC Neg. Grnd.	10 V - 16 V DC Neg. Grnd.
Total Weight	8.2 lbs (3.72 kgs)	7.94 lbs (3.6 kgs)	11.34 lbs (5.14 kgs)
Dimensions (l x w x h) (centimeters)	11" x 9 3/4" x 22" 27.94 x 24.8 x 6.35	13 3/8" x 9 3/4" x 22" 34 x 24.8 x 6.35	16" x 9 3/4" x 22" 40.64 x 24.8 x 6.35



polk

momo

Products Born of Passion.

Baltimore, Maryland-based Polk Audio is an award-winning manufacturer of high performance audio products. Founded by Chairman Matthew Polk and CEO George Klopfer in 1972, Polk Audio holds over 50 patents for advances in audio design and technology. Polk's products include loudspeakers and electronic components for home, auto and marine applications, the

first XM satellite home component tuner, the world's first high performance active IP-addressable loudspeaker, and I-Sonic™—the first entertainment system to include HD Radio®, XM Connect & Play capability and a DVD player. Polk products are available through specialist consumer electronics retailers worldwide.

Polk Audio

5601 Metro Drive
Baltimore, MD 21215
Copyright ©July 2006. All rights reserved.

RP2127-1

WARNING

Listen Carefully!

Polk Audio loudspeakers and subwoofers are capable of playing at extremely high volume levels, which could cause serious or permanent hearing damage. Polk Audio, Inc. accepts no liability for hearing loss, bodily injury or property damage resulting from the misuse of its products.

Keep these guidelines in mind and always use your own good judgment when controlling volume:

- You should limit prolonged exposure to volumes that exceed 85 decibels (dB).
- High volume in an automobile can hinder your ability to safely operate a vehicle.
- You are responsible for knowing the local laws governing acceptable mobile volume levels.

For more about safe volume levels, go to www.polkaudio.com/education/article/SPL/. Or refer to the Occupational Health and Safety Administration (OSHA) guidelines at www.osha.gov/dts/osta/otm/noise/standards_more.html.

polk **momo**

USA & CANADA 800-377-7655, outside USA & CANADA 410-358-3600 www.polkaudio.com/cars

Polk Audio

20